

RECOMMENDED PCB LAYOUT  
GENERAL TOLERANCE ±0.05

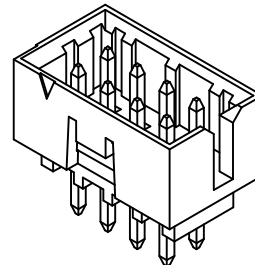
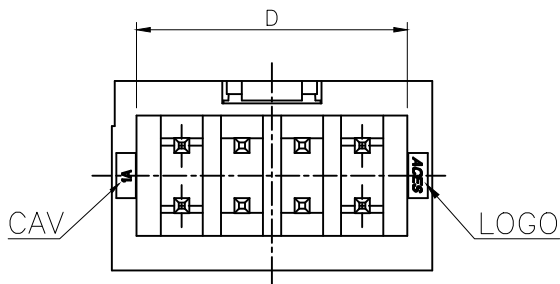
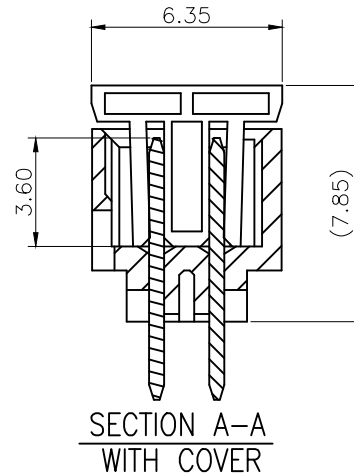
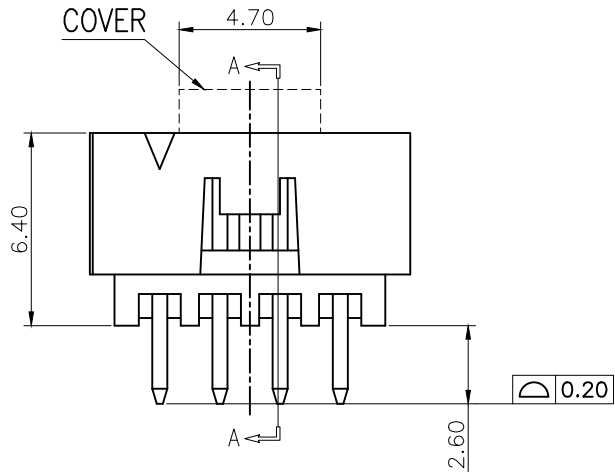
NOTES:

- MATERIAL:
  - HOUSING: THERMOPLASTIC, HIGH TEMP., UL94V-0; COLOR:BLACK
  - CONTACT: COPPER ALLOY
- FINISH:
  - CONTACT:SEE ORDER INFORMATION.
  - UNDERPLATING: 50~100u" NICKEL OVERALL.
- REFLOW SOLDER CAPABLE TO 260°C PER ACES SPEC.
- SPEC. PLS. REFER TO PS-51352-XXXXX-XXX
- PART NUMBER

51351-XXX X X-XXX

CKTS \_\_\_\_\_ COLOR  
OO1.BLACK

- PACKING \_\_\_\_\_ PLATING
- TUBE C:GOLD 15u" ON CONTACT
  - TAPE&REEL WITH MYLAR 1:G/F ON CONTACT
  - TUBE WITH MYLAR
  - TUBE WITH COVER



CKT	DIM A	DIM B	DIM C	DIM D
6	4.00	6.85	8.65	7.00
8	6.00	8.85	10.65	9.00

QUALITY SYMBOLS MAJOR CRITICAL	DRAWN BY Huang,Shun Sen	DATE 20/03/18				
	CHECKED BY Lu,Jing Quan	DATE 20/03/18			TITLE 2.0mm WTB WAFER CONN. T/H D/R S/T TYPE	
GENERAL TOLERANCES ( UNLESS SPECIFIED ) .X ±0.5 .X ±0.25 .XX ±0.15 .XXX ±0.1 ANGLES ±2°	APPROVED BY hsieh,fu yu	DATE 20/03/18	UNITS mm		SIZE A4	RFQ NO. N/A
	SCALE 4 : 1	SHEET NO. - OF -	REV A	DWG NO. 51351-XXXXX-XXX		